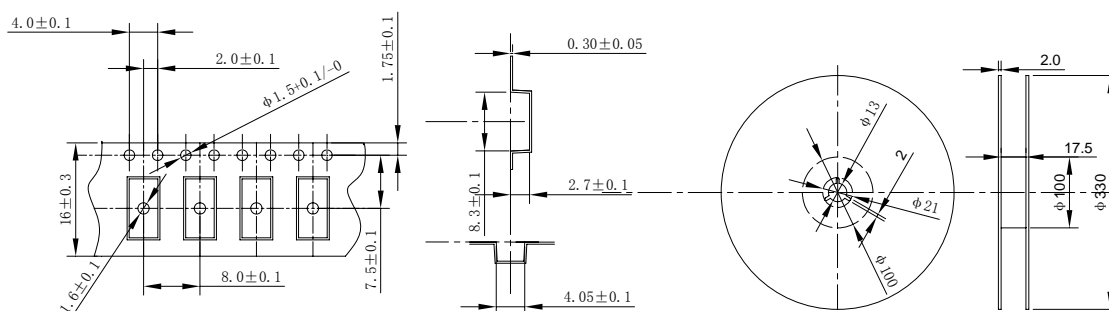
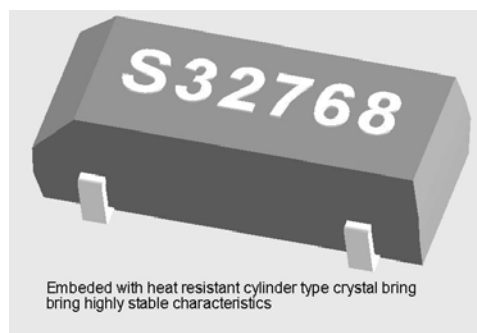
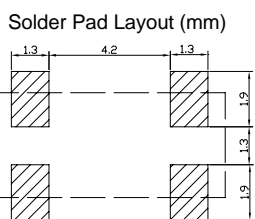
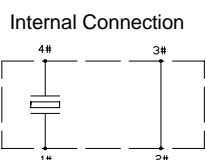
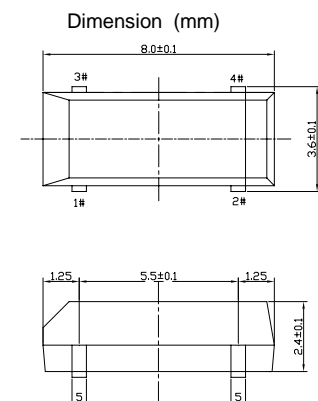




SMD TUNING FORK QUARTZ CRYSTAL UNITS

Standard Specifications

Model	FS-1	FS-2
Nominal Frequency	32.768 KHz	30KHz~100KHz
Frequency Tolerance	±20 ppm (at 25°C ±3°C)	±30 ppm (at 25°C ±3°C)
Load Capacitance	12.5 pF	12.5 pF
Equivalent Series Resistance	50 KOhms (Max.)	50 KOhms (Max.)
Drive Level	1 μ W (Max.)	1 μ W (Max.)
Shunt Capacitance	2.0 pF (Typ.)	0.8 pF~2.0pF (Typ.)
Operating Temperature Range	-40°C ~+85°C	-40°C ~+85°C
Storage Temperature Range	-55°C ~+125°C	-55°C ~+125°C
Turnover Temperature	25°C ±5°C	25°C ±5°C
Temperature Coefficient	-0.034±0.006ppm/°C ²	-0.034±0.006ppm/°C ²
Aging (First Year)	±5ppm(at 25°C)	±5ppm(at 25°C)



Taping & Reel Configuration for FS-1/FS-2 (3000pcs/reel)

CHINA NATIONAL SCIENTIFIC INSTRUMENTS & MATERILAS. CORP

Salse Office: Suite L, 7F, Mansion No 1, GUO DU Development Building, No.182 Chaozhui Road, 310014 Hangzhou P.R.China

TEL: 0086-571-85803723 85803731 85803732

FAX: 0086-571-85803724

E-mail: sales@csimc-freqcontrol.com thwu@mail.hz.zj.cn