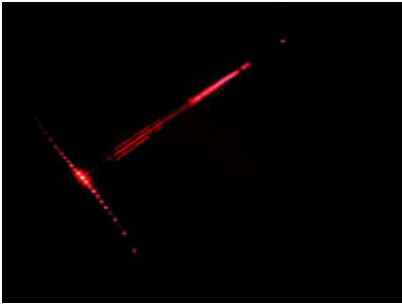


Optical Gratings



As Based on the Ion bundle and Optical special method .we can produce many kinds of Optical gratings for CD,DVD etc optical plane diffraction as one of parts of Pick-up package .currently we enter into mass production.

For high quality purpose all optical grates are produced by on-line quality checking by computer as 100%

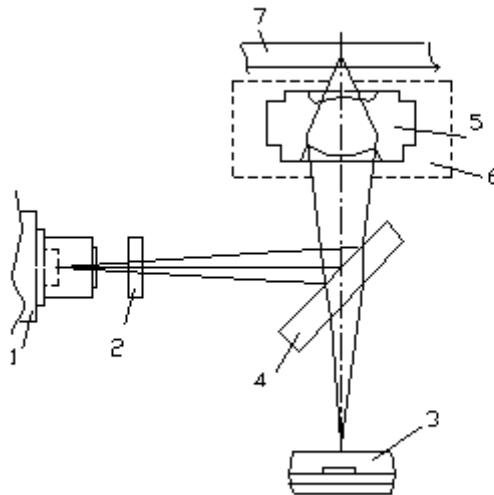
Currently optical constants :

MOC - GT - 21	optical constant : 21 μ m
MOC - GT - 30	optical constant : 30 μ m
MOC - GT - 34	optical constant : 34.5 μ m
MOC - GT - 35	optical constant : 35 μ m
MOC - GT - 42	optical constant : 42 μ m

Optical spectroscopy resolution and optical 、衍射效率 etc . can be designed as Customers ' s.

Optical grating is a set instrument which can divide all incidence wavelengths

Drawing as 1-1



Draw1-1 PR650 optical system

1-Laser 2-Grating 3- detector 4-semi reflector

5-object len 6- 双轴力矩器 ; 7-CD -disc

CHINA NATIONAL SCIENTIFIC INSTRUMENTS & MATERILAS. CORP

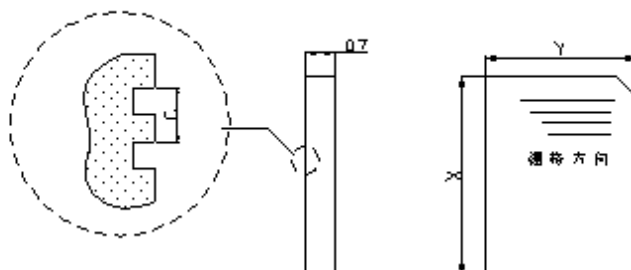
Salse Office: Suite L, 7F, Mansion No 1, GUO DU Development Building, No.182 Chaohui Road, 310014 Hangzhou P.R.China

TEL: 0086-571-85803723 85803731 85803732

FAX: 0086-571-85803724

E-mail: sales@csimc-freqcontrol.com thwu@mail.hz.zj.cn

Draw1-2 optical grating



1. 使用波长：780±20nm
2. 外形尺寸：X+0/-0.1×Y+0/-0.1×0.7±0.05mm
3. 波前畸变：$\lambda/4$
4. 衍射效率：参考表（二）
5. 格子间隔：C（见表一）
6. 材料：BK7、B-270相当品（ $n=1.5171$ ）
7. 光栅面标识：倒角标识（右上角）
8. 包装规格：100片/塑盒

phase optical grating 0 order and 1 order diffraction efficient

Sheet (II) 0 级 / 1 级 %	5.0-6.0	4.5-5.5	3.0-4.0
0 级衍射效率 %	65-70	60-65	55-60
1 级衍射效率 %	11.5-12.5	12.5-13.5	15.0-16.0
+/-1 级偏差 %	1	1	1

* Sheet (II) note : Customer can choose the specification according to customer request in the table.