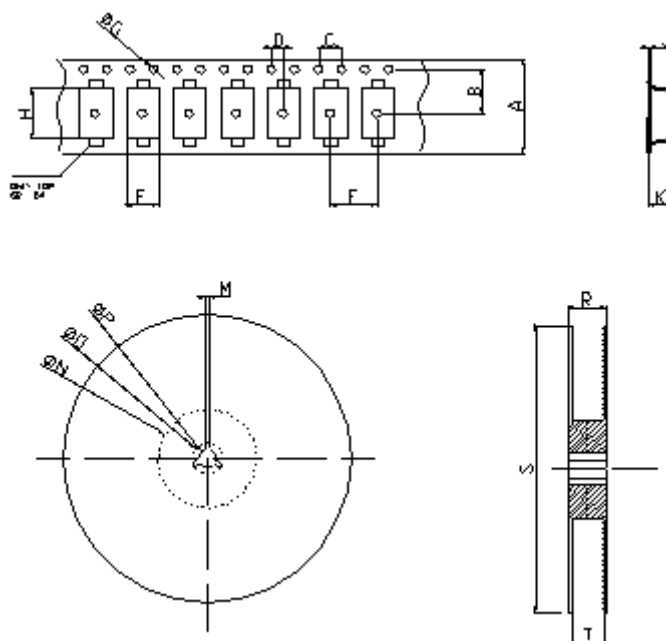




CRYSTAL & OSCILLATOR TAPE SPECIFICATION



All Dimensions in mm

SERIES	A	B	C	D	E	F	G	H	J
S2	24	11.5	4	2	12	5	1.5	15	0.4
S4	24	11.5	4	2	12	5	1.5	15	0.35
S5 S6	24	11.5	4	2	12	5.4	1.5	13	0.4
M2	24	11.5	4	2	12	8.2	1.5	13	0.4
C1	16	7.5	4	2	8	5.4	1.5	7.4	0.3
C2	16	7.5	4	2	8	3.9	1.5	6.5	0.3
X3 X5 V3 V5	16	7.5	4	2	8	5.4	1.5	7.4	0.3
SERIES	K	M	N	O	P	R	S	T	QTY/REEL
S2	4.35	1.9+/-0.4	100	21	13	30.4	330	24.4	1000
S4	3.5	1.9+/-0.4	100	21	13	30.4	330	24.4	1000
S5 S6	5.5	1.9+/-0.4	100	21	13	30.4	330	24.4	1000
M2	4	1.9+/-0.4	100	21	13	30.4	330	24.4	1000
C1	1.6	2.0+/-0.2	62	21	13	22.4	180	16.4	1000
C2	2	2.0+/-0.2	62	21	13	22.4	180	16.4	1000
X3 X5 V3 V5	1.8	2.0+/-0.2	62	21	13	22.4	180	16.4	1000

CHINA NATIONAL SCIENTIFIC INSTRUMENTS & MATERIALS. CORP

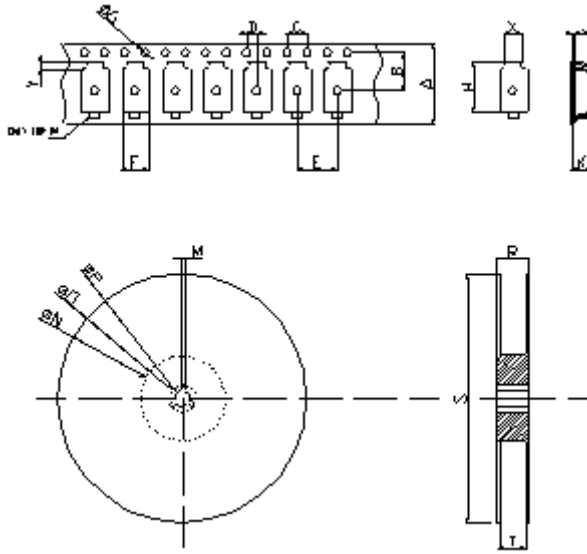
Sale Office: Suite L, 7F, Mansion No 1, GUO DU Development Building, No.182 Chaohui Road, 310014 Hangzhou P.R.China

TEL: 0086-571-85803723 85803731 85803732

FAX: 0086-571-85803724

E-mail: sales@csimc-freqcontrol.com thwu@mail.hz.zj.cn

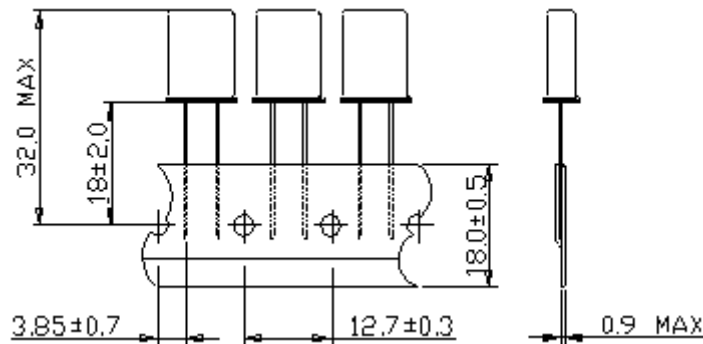
U2 M4 GULL WING TAPE SPECIFICATION



All Dimensions in mm

SERIES	A	B	C	D	E	F	G	H	J	K
U2	24	11.5	4	2	12	11.4	1.5	18.2	0.4	5.5
M4	24	11.5	4	2	12	8.5	1.5	10	0.4	5.5
SERIES	X	Y	M	N	O	P	R	S	T	QTY/REEL
U2	7.5	3.2	1.9+/-0.6	100	21	13	30.4	330	24	1000
M4	4.5	1.2	1.9+/-0.6	100	21	13	30.4	330	24	1000

U1、U3、M1、M3 TAPE SPECIFICATION



All Dimensions in mm

CHINA NATIONAL SCIENTIFIC INSTRUMENTS & MATERIALS CORP

Sale Office: Suite L, 7F, Mansion No 1, GUO DU Development Building, No.182 Chaohui Road, 310014 Hangzhou P.R.China

TEL: 0086-571-85803723 85803731 85803732

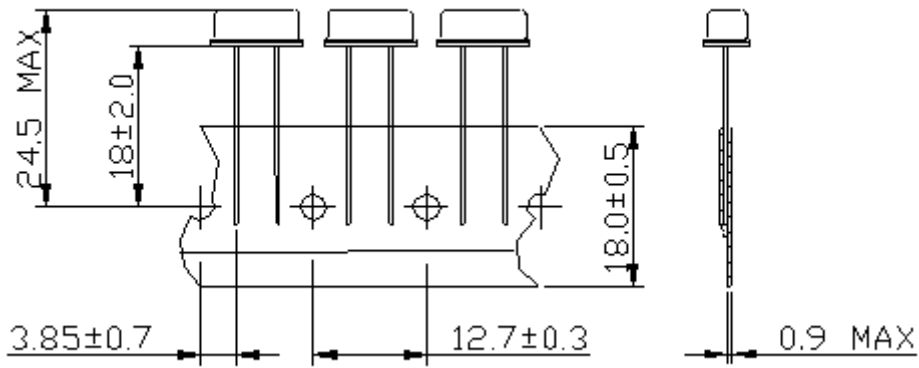
FAX: 0086-571-85803724

E-mail: sales@csimc-freqcontrol.com thwu@mail.hz.zj.cn



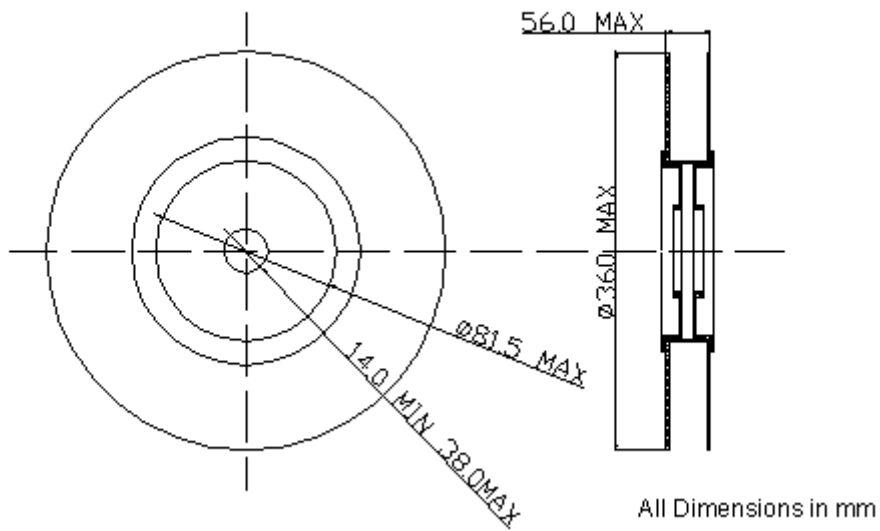
CRYSTAL & OSCILLATOR TAPE SPECIFICATION

S1、S3 TAPE SPECIFICATION



All Dimensions in mm

REEL SPECIFICATION



All Dimensions in mm

CHINA NATIONAL SCIENTIFIC INSTRUMENTS & MATERIALS. CORP

Salse Office: Suite L, 7F, Mansion No 1, GUO DU Development Building, No.182 Chaohui Road, 310014 Hangzhou P.R.China

TEL: 0086-571-85803723 85803731 85803732

FAX: 0086-571-85803724

E-mail: sales@csimc-freqcontrol.com thwu@mail.hz.zj.cn