

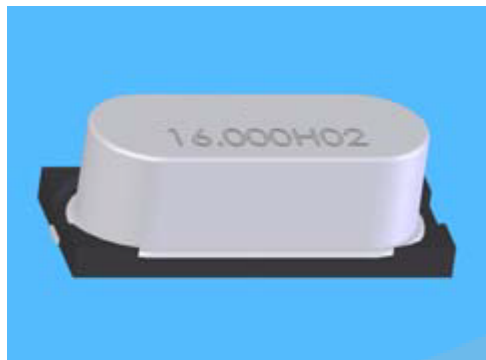


**We are committed to the supply of all types of substrate wafers to the microelectronics industry**

## S2 Type Crystal

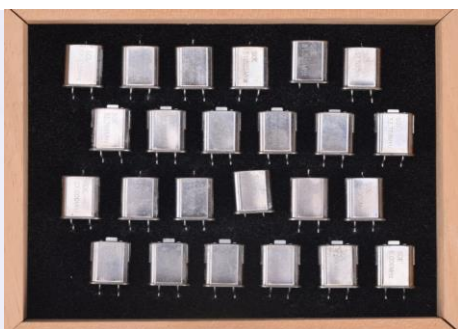
### Features

- S2 typical 11.4x4.6x4.1mm standard footprint.
- Resistance welding for hermetical seal.
- Tight tolerance 10 ppm available.
- Tape & Reel packaging for automatic assembly.
- Lead Free and RoHS compliant



### ORDERING GUIDANCE

Product Type	Oscillation Mode	Calibration Tolerance (ppm)	Temperature Stability (ppm)	Operation Temp Range (°C)	Load Capacitance (pF)	Frequency (MHz)
Code: Meaning	Code: Meaning	Code: Meaning	Code: Meaning	Code: Meaning	Code: Meaning	
S2: HC-49	1: Fund 3: 3 <sup>rd</sup> OT	A: ±10 B: ±15 C: ±20 D: ±30 F: ±50 H: ±25 XX: Special	1: ±10 2: ±15 3: ±20 4: ±30 5: ±50 6: ±100 7: ±5 9: ±25 00: Special	A: -10~+60 B: 0~+70 C: -20~+70 D: -40~+85 F: -10~+70 G: -40~+60 H: 0~+60 I: -20~+60 K: -40~+70	0: Series XX: CL Value In pF	XXX.XXXXXX
<b>Ordering example:</b> S2-1C4B18-10.000000MHz HC-49/S SMD Fund ±20ppm ±30ppm/0~+70°C 18pF 10.000000MHz						
<b>Note:</b> If any other requirements are needed, they should be specified in customers' order.						



### HANGZHOU FREQCONTROL ELECTRONIC TECHNOLOGY LTD.

Head office : # 1106, Crystal International Business Center(CIBC), No.198  
 Wuxing Rd ,Qianjiang new city Hangzhou, P.R.China Post code: 310006  
 TEL: 0086-571-85803723 85803731 85803732 FAX: 0086-571-85803724  
 E-mail: sales@csimc-freqcontrol.com [thwu@mail.hz.zj.cn](mailto:thwu@mail.hz.zj.cn)





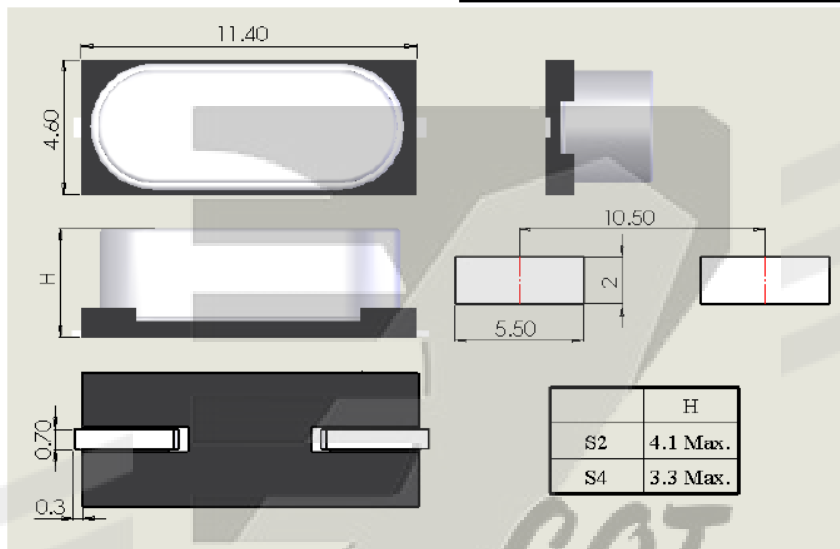
**We are committed to the supply of all types of substrate wafers to the microelectronics industry**

**Electrical Specification  
Resistance(ESR)**

Storage Temp. Range	-55°C to +125°C
Drive Level(DL)	100uW typ., 500uW
Shunt Capacitance(C0)	7.0pF Max.
Insulation Resistance(IR)	500MΩ Min. @ 100V DC
Aging	±3ppm/year

**Equivalent Series**

Frequency (MHz)	Mode	Max ESR (Ohms)
3.200 – 4.999	Fund	150
5.000 – 6.999	Fund	100
7.000 – 8.999	Fund	80
9.000 – 12.999	Fund	60
13.000 – 19.999	Fund	40
20.000 – 33.000	Fund	30
27.000 – 70.000	3 <sup>rd</sup> O/T	100



CHINA QUARTZ TECHNOLOGY

**HANGZHOU FREQCONTROL ELECTRONIC TECHNOLOGY LTD.**

Head office : # 1106, Crystal International Business Center(CIBC), No.198  
 Wuxing Rd ,Qianjiang new city Hangzhou, P.R.China Post code: 310006  
 TEL: 0086-571-85803723 85803731 85803732 FAX: 0086-571-85803724  
 E-mail: sales@csimc-freqcontrol.com [thwu@mail.hz.zj.cn](mailto:thwu@mail.hz.zj.cn)

