



We are committed to the supply of all types of substrate wafers to the microelectronics industry

U4 Type Crystal

Features

- U4 typical 17.7x11.0x5.5mm standard footprint.
- High stability and Long-term stability.
- Resistance welding for hermetical seal.
- Tight tolerance 10 ppm available.
- Lead Free and RoHS compliant



ORDERING GUIDANCE

Product Type	Oscillation Mode	Calibration Tolerance (ppm)	Temperature Stability (ppm)	Operation Temp Range (°C)	Load Capacitance (pF)	Frequency (MHz)
Code: Meaning	Code: Meaning	Code: Meaning	Code: Meaning	Code: Meaning	Code: Meaning	
U4: HC-49/ U	1: Fund 3: 3 rd OT 5: 5 th OT	A: ±10 B: ±15 C: ±20 D: ±30 F: ±50 G: ±5 H: ±25 XX: Special	1: ±10 2: ±15 3: ±20 4: ±30 5: ±50 6: ±100 7: ±5 8: ±3 9: ±25 00: Special	A: -10~+60 B: 0~+70 C: -20~+70 D: -40~+85 E: -55~+125 F: -10~+70 G: -40~+60 H: 0~+60 I: -20~+60 J: -40~+105 K: -40~+70 L: -40~+125	0: Series XX: CL Value In pF	XXX.XXXXXX
Ordering example: U5-1C4B18-10.000000MHz HC-49/U Gull-wing Fund ±20ppm ±30ppm/0~+70°C 18pF 10.000000MHz						
Note: If any other requirements are needed, they should be specified in customers' order.						





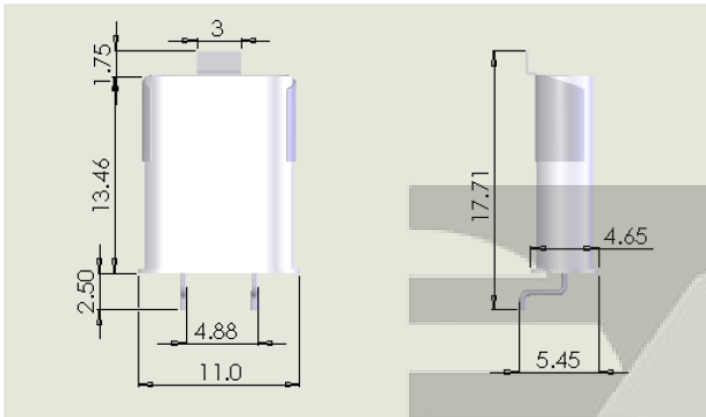
We are committed to the supply of all types of substrate wafers to the microelectronics industry

Electrical Specification Resistance(ESR)

Storage Temp. Range	-55°C to +125°C
Drive Level(DL)	100uW typ., 500uW
Shunt Capacitance(C0)	7.0pF Max.
Insulation Resistance(IR)	500MΩ Min. @ 100V DC
Aging	±3ppm/year

Equivalent Series

Frequency (MHz)	Mode	Max ESR (Ohms)
1.800 – 1.999	Fund	750
2.000 – 2.399	Fund	500
2.400 – 3.199	Fund	300
3.200 – 4.199	Fund	100
4.200 – 4.899	Fund	70
4.900 – 5.999	Fund	50
6.000 – 9.999	Fund	40
10.000 – 15.999	Fund	30
16.000 – 35.000	Fund	20
20.000 – 24.999	3 rd O/T	60
25.000 – 100.000	3 rd O/T	40
60.000 – 79.999	5 th O/T	80
80.000 – 150.000	5 th O/T	60



CHINA QUARTZ TECHNOLOGY

HANGZHOU FREQCONTROL ELECTRONIC TECHNOLOGY LTD.

Head office : # 1106, Crystal International Business Center(CIBC), No.198
 Wuxing Rd ,Qianjiang new city Hangzhou, P.R.China Post code: 310006
 TEL: 0086-571-85803723 85803731 85803732 FAX: 0086-571-85803724
 E-mail: sales@csimc-freqcontrol.com thwu@mail.hz.zj.cn

