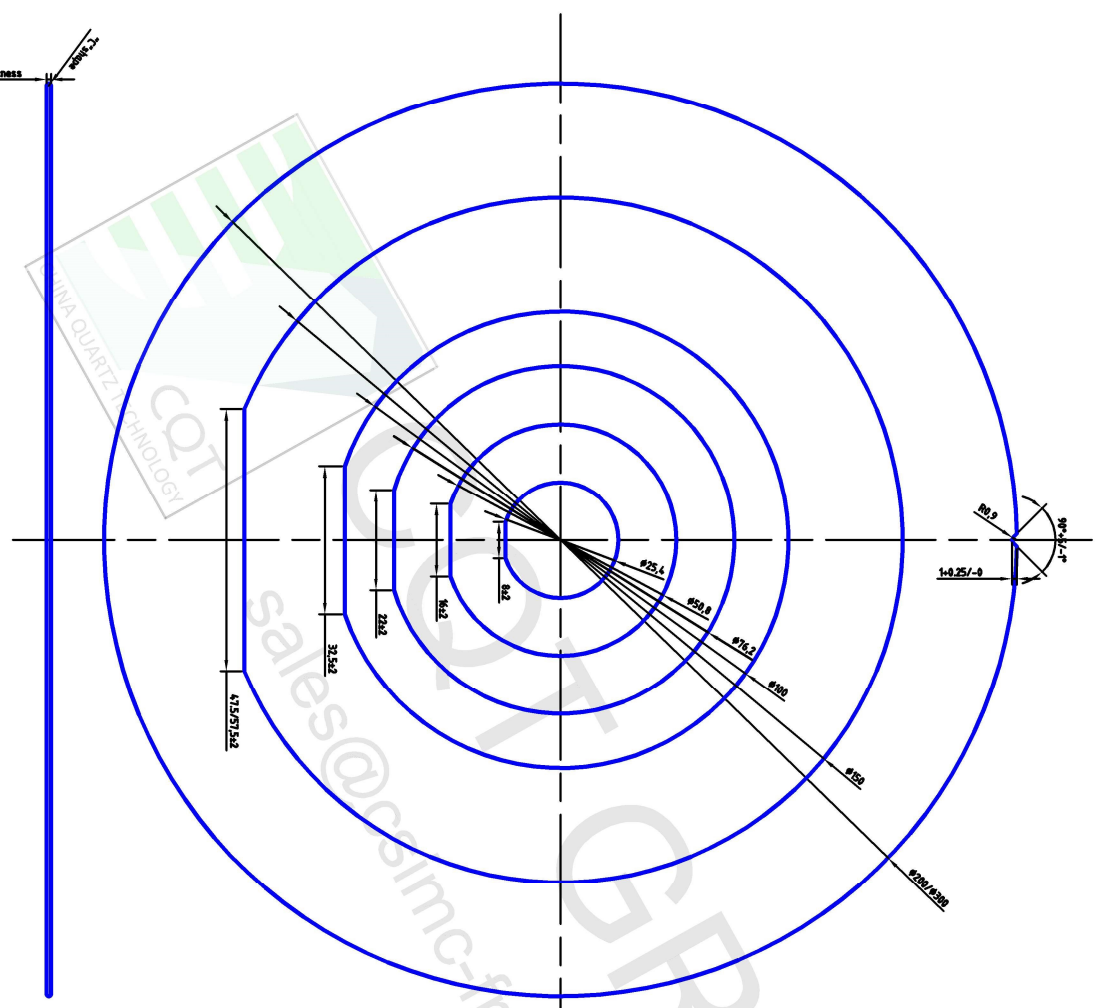
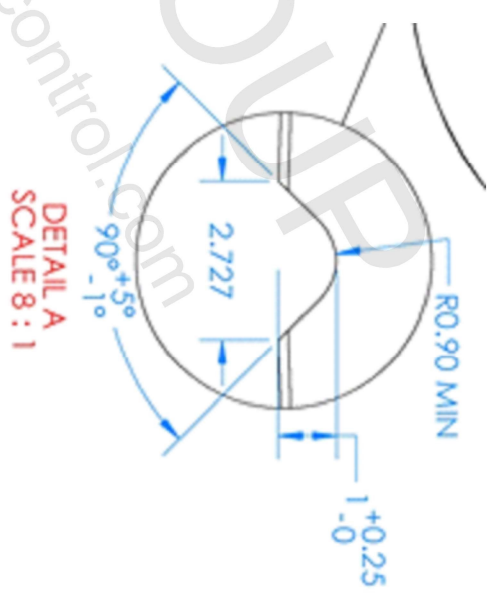


REVISIONS			
REV	DESCRIPTION	DATE	APPROVED
A	Part drawing	22/12/2016	Thomas
B	Updated the dimension tolerance and thickness limit	27/7/2018	Thomas



Name: Substrates / Wafers

1. Material grade: Fused quartz/silica/corning/shott/etc
2. Diameter: 2" / 3" / 4" / 6" / 8" or 12" with flat or SEMI Notch
3. Edge Finish: Fine grit grind 100% coverage with "C" shape
4. Edge Chips: <0.1mm
5. Thickness: customized
6. Surface finished: Double Sides Polished / Single side polished
7. Surface roughness: customized
8. Scratch & Dig: customized
9. Flatness:
  - 9.1 TTV<customized
  - 9.2 BOW <customized
  - 9.3 WARP <customized

THIRD ANGLE PROJECTION		SPEC NO.		COT spec	
ENG:	CHKR:	DRFT.	UNIT	MM	
Thomas	Edwin		DATE	Oct-27-2023	
DRAWING NO.			REVISIONS		
COT0007891			B		
SHEET			VI		

杭州中鼎电子科技有限公司  
Hangzhou Freqcontrol  
Electronic Technology Ltd  
www.csmc-freqcontrol.com